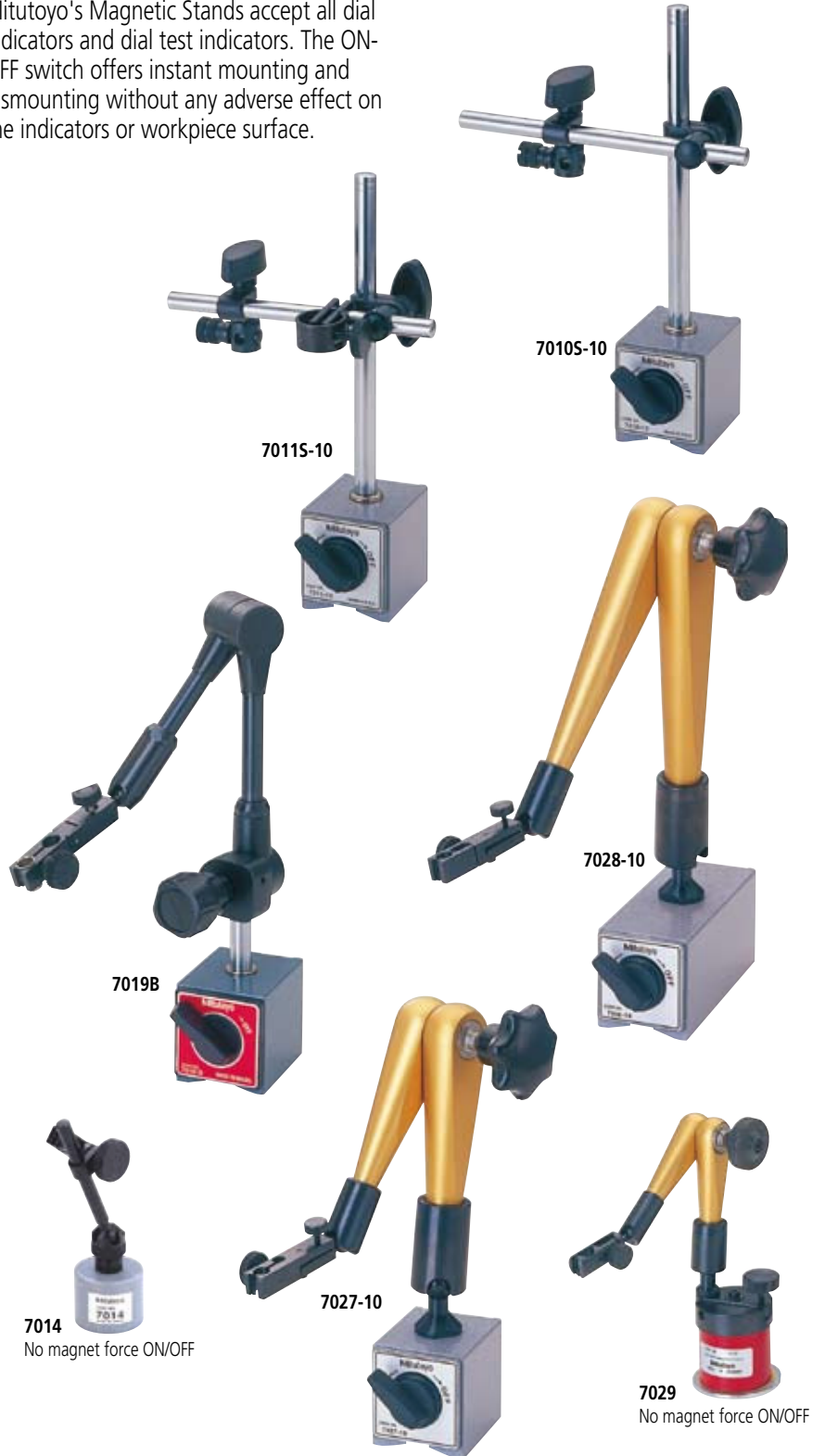
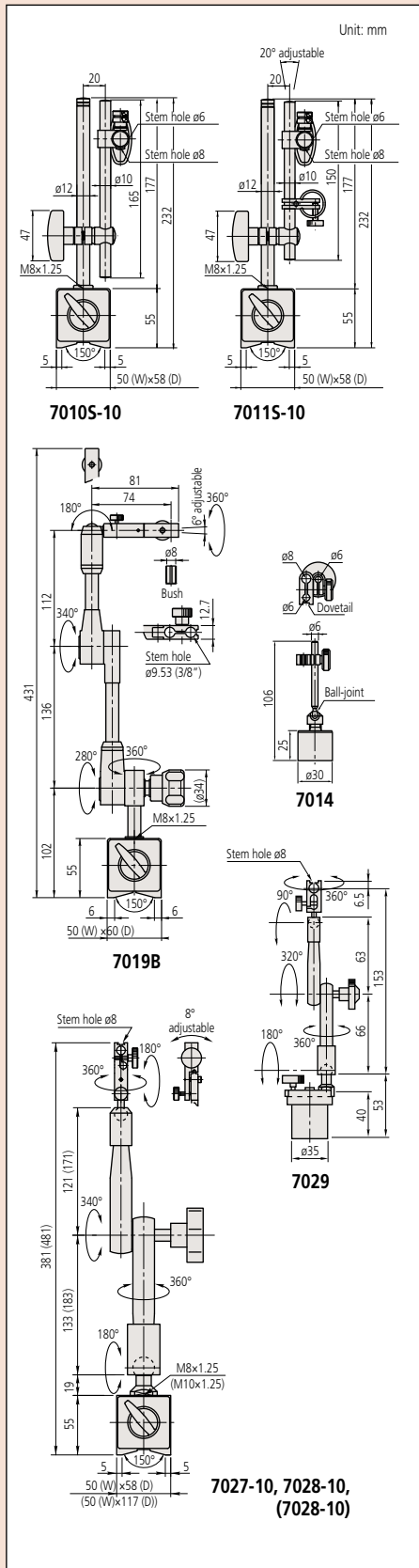


# Magnetic Stands

## SERIES 7

Mitutoyo's Magnetic Stands accept all dial indicators and dial test indicators. The ON-OFF switch offers instant mounting and dismounting without any adverse effect on the indicators or workpiece surface.

### DIMENSIONS



### SPECIFICATIONS

Order No.	Description	Applicable holding stem dia.	Dovetail groove	Remarks
7010S-10	Magnetic stand	$\varnothing 6$ mm, $\varnothing 8$ mm	—	—
7011S-10	Magnetic stand	$\varnothing 6$ mm, $\varnothing 8$ mm	—	With fine adjustment
7014	Mini magnetic stand	$\varnothing 6$ mm, $\varnothing 8$ mm	Provided	Without magnet ON/OFF
7014E	Mini magnetic stand	$\varnothing 4$ mm, $\varnothing 9.5$ mm	Provided	Without magnet ON/OFF
7019B	Universal magnetic stand	$\varnothing 8$ mm, $\varnothing 9.53$ mm (3/8")	Provided	With hydraulic position lock
7027-10	Universal magnetic stand	$\varnothing 8$ mm	Provided	With hydraulic position lock
7028-10	Universal magnetic stand	$\varnothing 8$ mm	Provided	With hydraulic position lock
7029	Universal magnetic stand	$\varnothing 8$ mm	Provided	Without magnet ON/OFF